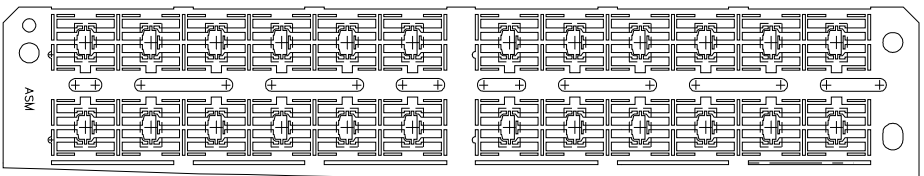
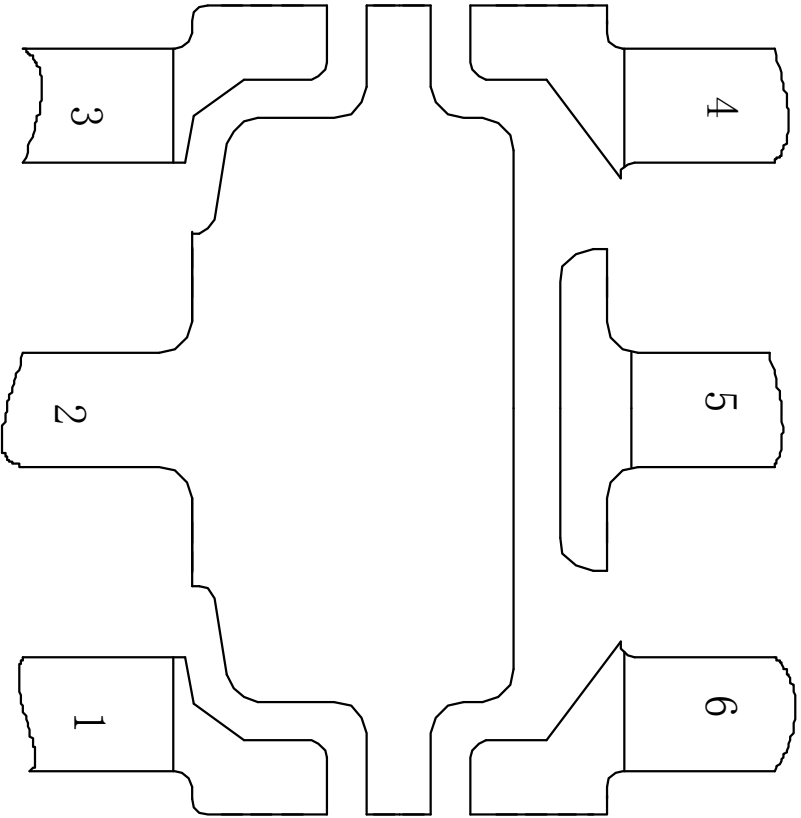
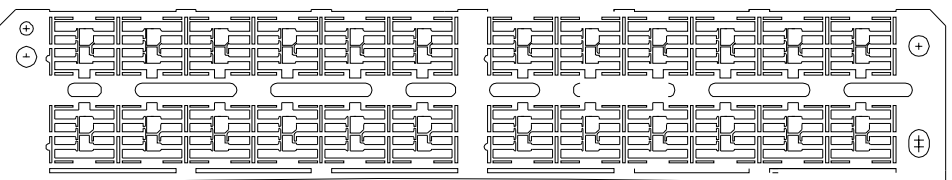
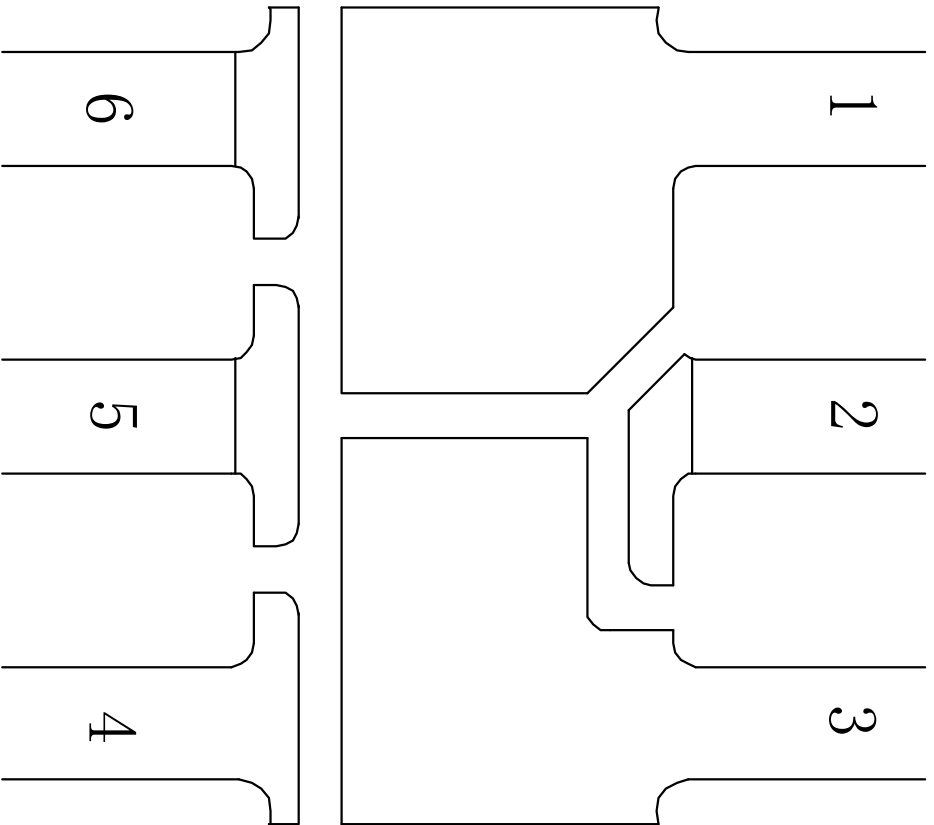


FSMC		L/F	SC59-6 12R (036*072)1 连PAD
		Stage	0.91mm*1.82mm



<h1>FSMC</h1>		L/F	SC59-6 12R (040*072)	
		Stage	1.02mm*1.82mm	



<b>FSMC</b>		L/F	SC-59-6 12R (041*047+030*047)		
		Stage	1.04mm*1.20mm+0.76mm*1.20mm		